



© 2007 ADVANTAGE TACTILE SYSTEM
 CONFIDENTIAL AND PROPRIETARY DOCUMENT
 ANY ONE OR MORE OF THE FOLLOWING
 PATENTS MAY APPLY
 U.S. PATENT NO. 5,303,669 5,775,835
 6,449,790 AND 6,895,622 B2
 C.D.N. PATENT NO. 2,032,532 2,070,984
 ADDITIONAL PATENTS PENDING.
 KENNETH E. SZEKELY

MATERIAL LIST

ITEM	DESCRIPTION	PART NO.	QTY
1	ADVANTAGE TILE	ATS-S-2x3	1
2	FASTENER	ATS-FSTN	5
3	ADHESIVE	ATS-BOND	2
4	PERIMETER SEALANT	ATS-SEAL	1

NOTE: ITEMS 1,2,3,4 ARE INCLUDED IN PRODUCT PURCHASE.

DATE	REVISION	APPR.
0 17 /01 /07	ISSUED	K.S.

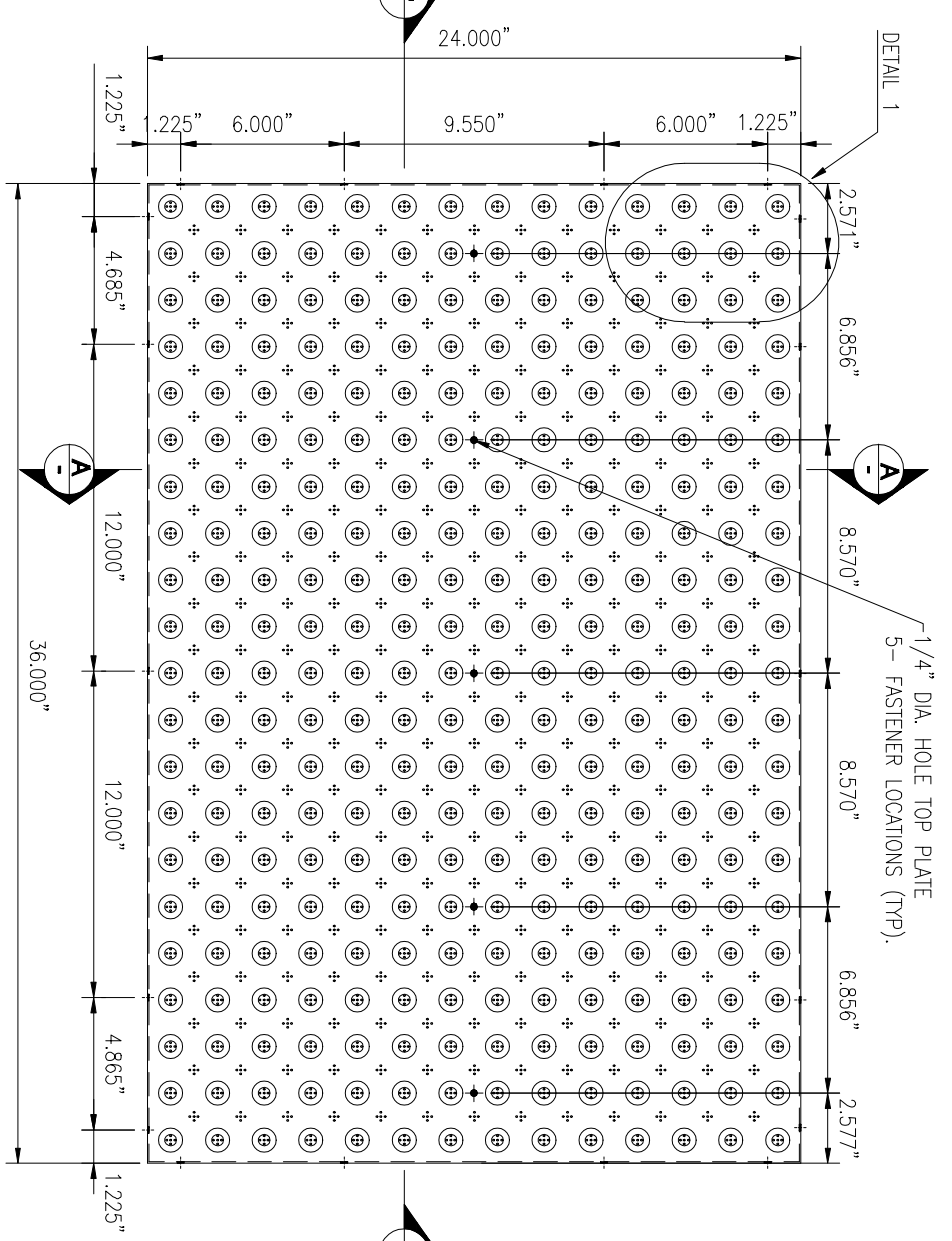
No. SCALE N.T.S

DESIGNED	BY K.E.S.	DATE 10/04
DRAWN	A.M	17/01/07
CHECKED		
PROJECT MANAGER		

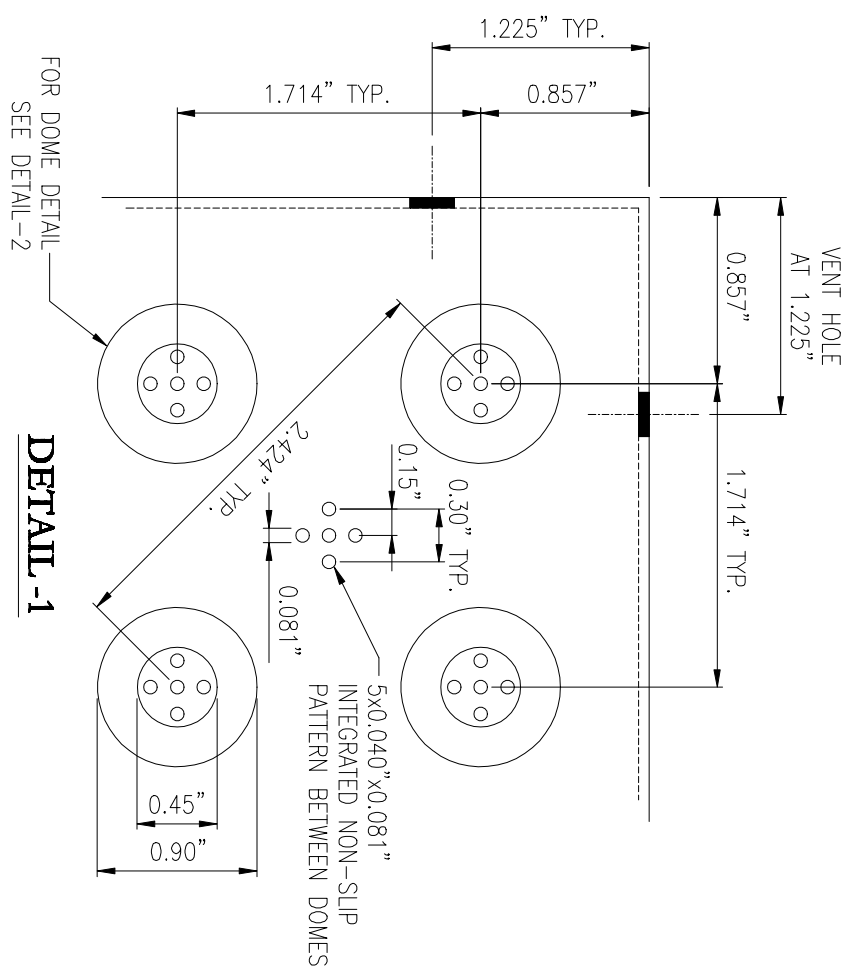
TRADE	PART NO.
DETECTABLE WARNING SURFACE	ATS-S-2x3
MATERIAL	STAINLESS STEEL



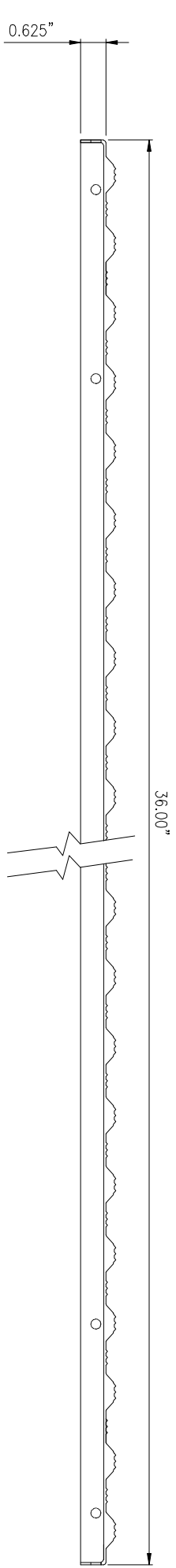
DRAWING NO.	REV. NO.
ATS-S-2x3	0



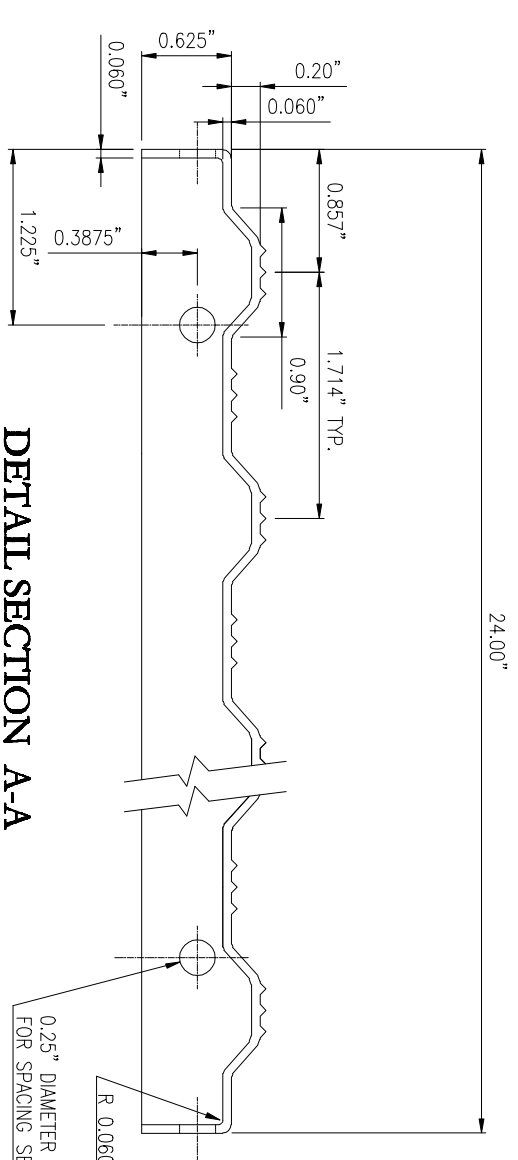
PLAN VIEW



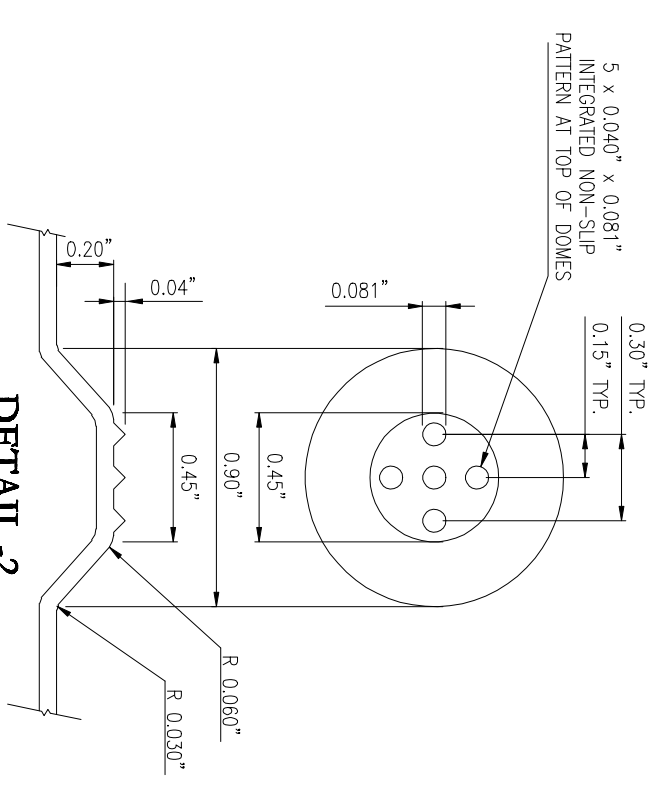
DETAIL -1



SECTION B-B



DETAIL SECTION A-A



DETAIL -2