



© 2007 ADVANTAGE TACTILE SYSTEM
 CONFIDENTIAL AND PROPRIETARY DOCUMENT
 ANY ONE OR MORE OF THE FOLLOWING PATENTS MAY APPLY
 U.S. PATENT NO. 5,303,669 5,775,835
 6,449,790 AND 6,895,622 B2
 C.D.N. PATENT NO. 2,032,532 2,070,984
 ADDITIONAL PATENTS PENDING.
 KENNETH E. SZEKELY

MATERIAL LIST

ITEM	DESCRIPTION	PART NO.	QTY
1	ADVANTAGE TILE	ATS-C-2x5	1

DATE	REVISION	APPR.
01/17/07	ISSUED	K.S.

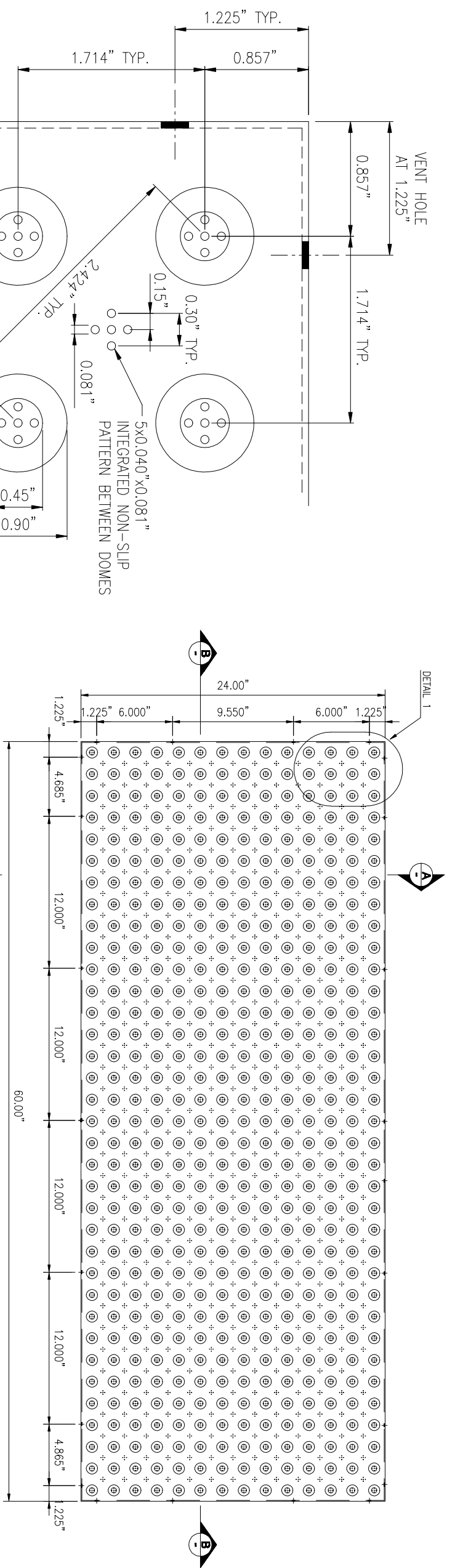
No. SCALE
 SCALE AS NOTED

DESIGNED	BY	K.E.S.	DATE	10/04
DRAWN		A.M	DATE	17/01/07
CHECKED				

PROJECT MANAGER	
TRADE	PART NO.
DETECTABLE WARNING SURFACE	ATS-C-2x5
MATERIAL	STAINLESS STEEL



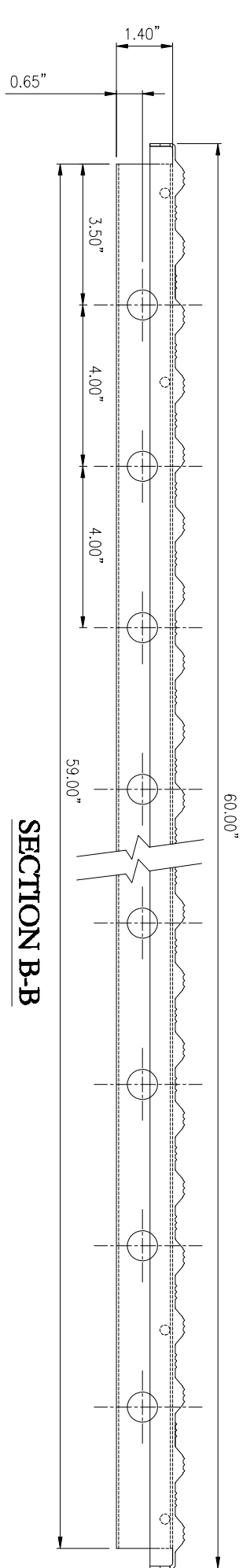
PROJECT
 ADVANTAGE TACTILE SYSTEMS™
 TACTILE TILE
 DETECTABLE WARNING SURFACE SYSTEM
 24" x 60"
 CAST IN PLACE TILE (INLINE DOME)
 PLANS AND DETAILS
 DRAWING NO. ATS-C-2x5
 REV. NO. 0



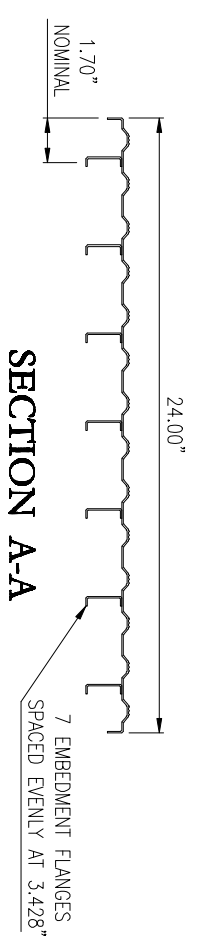
PLAN VIEW



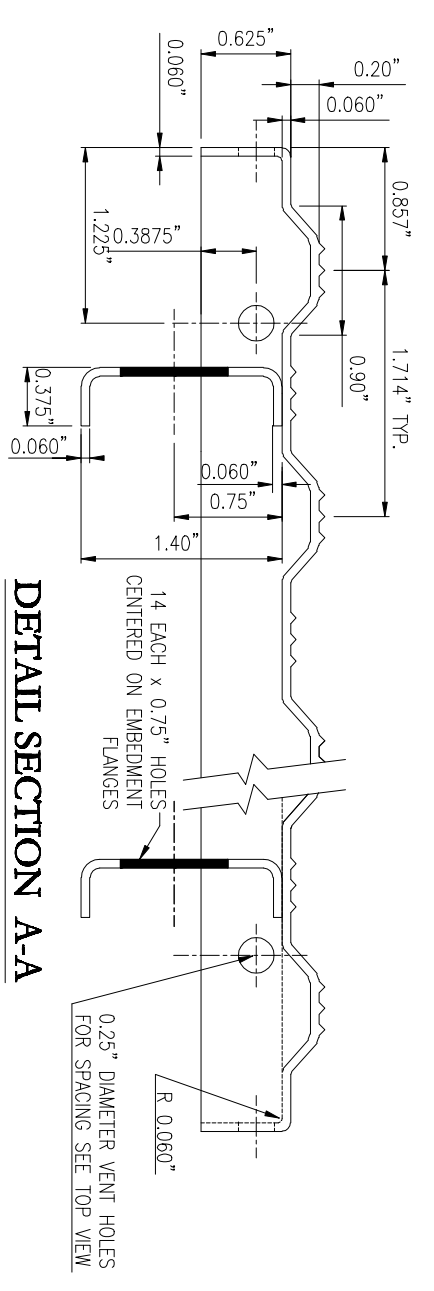
DETAIL -1



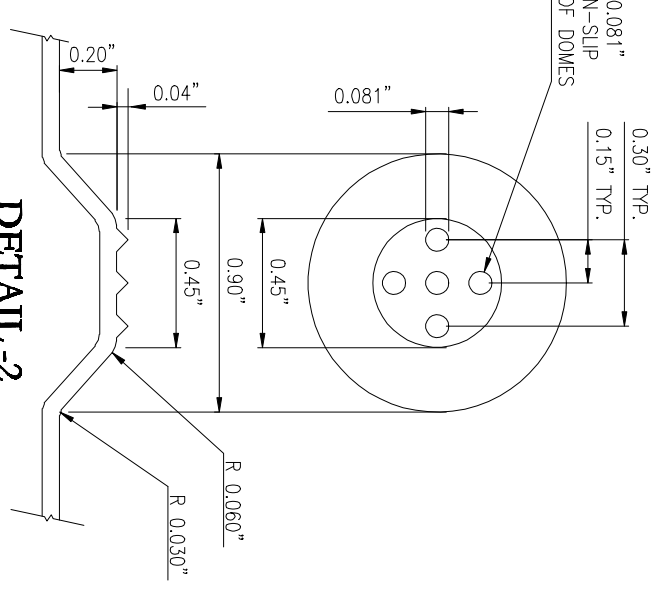
SECTION B-B



SECTION A-A



DETAIL SECTION A-A



DETAIL -2